

"Porta-Kart" Dolly**DESCRIPTION**

The 6777-5 "Porta-Kart" Dolly provides a convenient method for moving bucket-type pumps with a minimum of effort.

The "Porta-Kart" comes with the necessary mounting hardware for attaching any of the Series 7149 or 7181 bucket pumps.

When any of these pumps is securely attached to the bottom plate of the "Porta-Kart," the pump can also be easily operated after it has been transported.

**INSTALLATION
(FIGURE 3)**

To install the 7149 or 7181 bucket pump on the "Porta-Kart," follow these steps:

1. Position the bucket pump on the plate of the cart so that the foot rest is on the tapered end of the plate.

2a. Series 7149:

Insert screw 170353 through the hole in the foot rest and the plate. Secure with lockwasher 172207-1 and hex nut 77650.

2b. Series 7181:

Insert screw 170361 through the hole in the foot rest and the plate. Secure with elastic stop nut 170989.

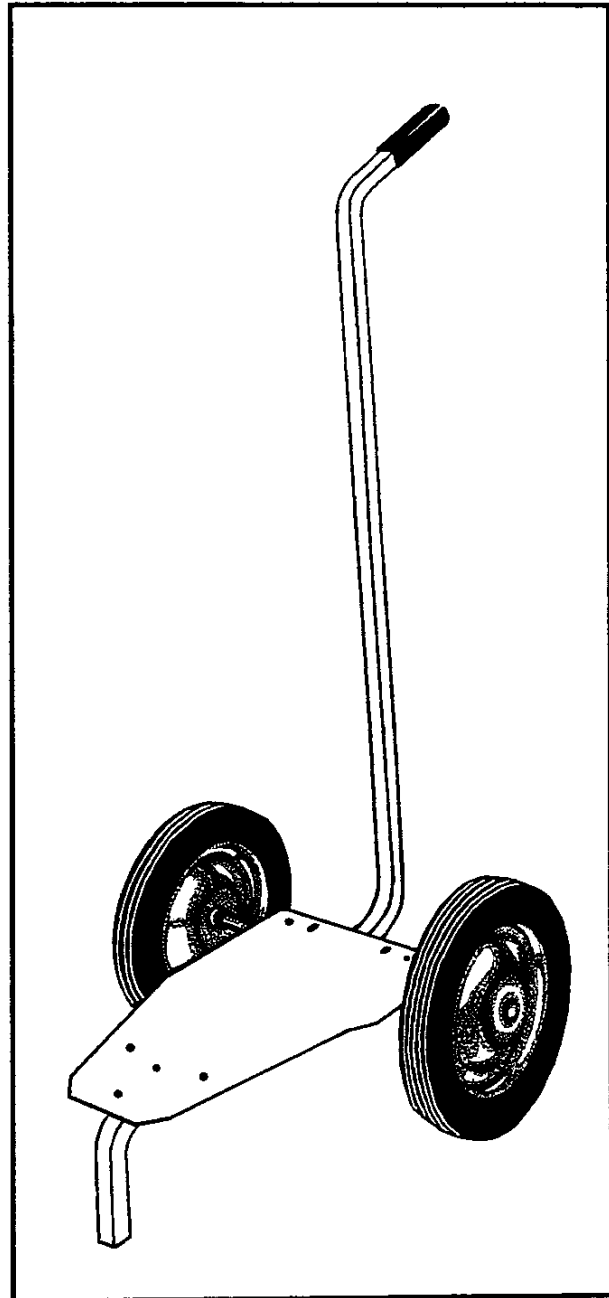


Figure 1: Model 6777-5 "Porta-Kart" Dolly

FOR FURTHER SERVICE, CONTACT YOUR LOCAL ALEMITE DISTRIBUTION CENTER



ALEMITE CORPORATION
4701 PARK RD CHARLOTTE NC 28209-9967

3. Place the two clamps 322892 on the rim of the bucket pump and secure to the plate of the cart with two screws 170349, two lockwashers 172207-1 and two hex nuts 77650 (Figure 3a).

4. Series 7149 only:

Attach the elbow-extension 327333 into the lubricant outlet of the pump.

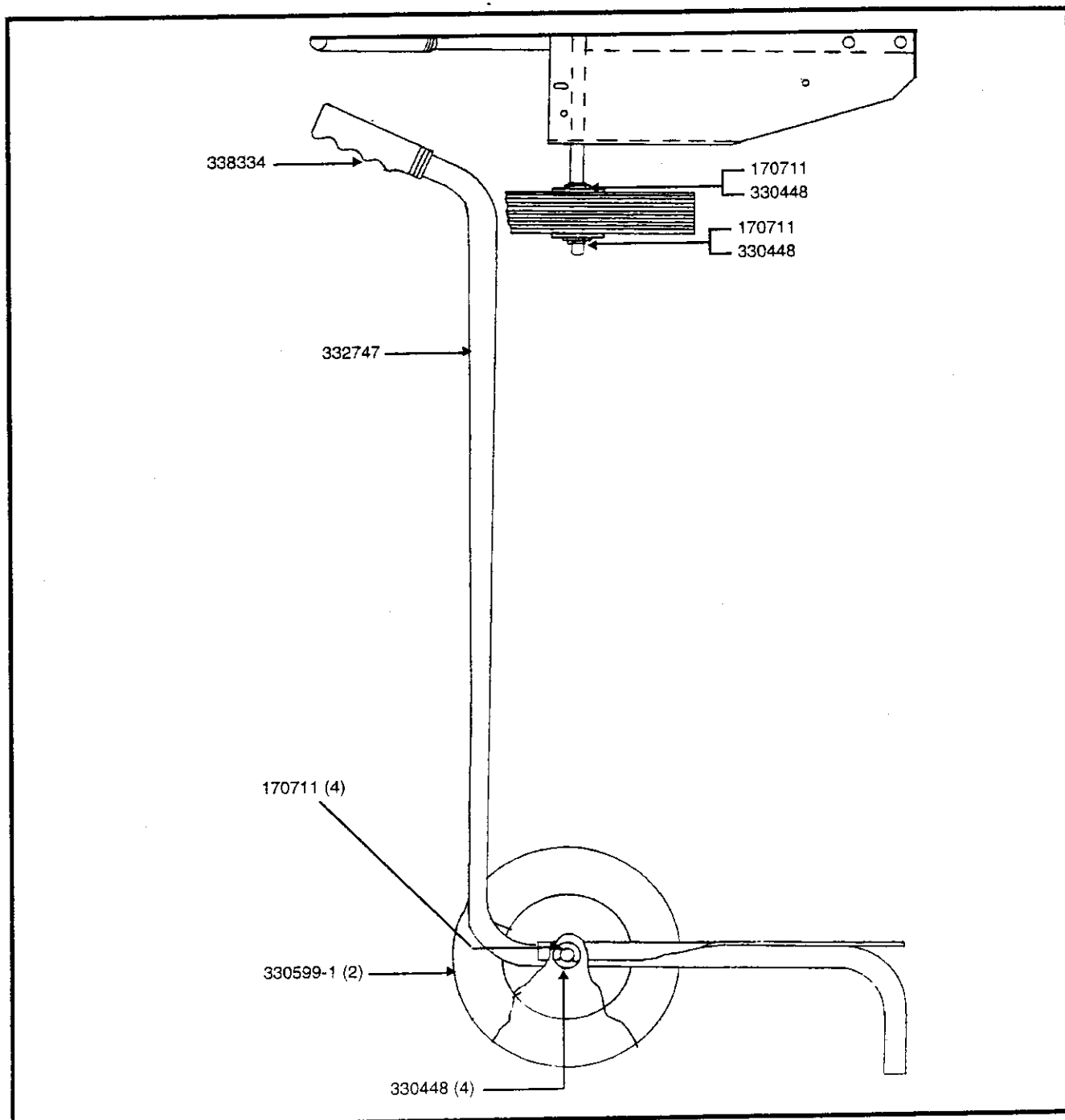


Figure 2: Components of "Porta-Kart" Dolly

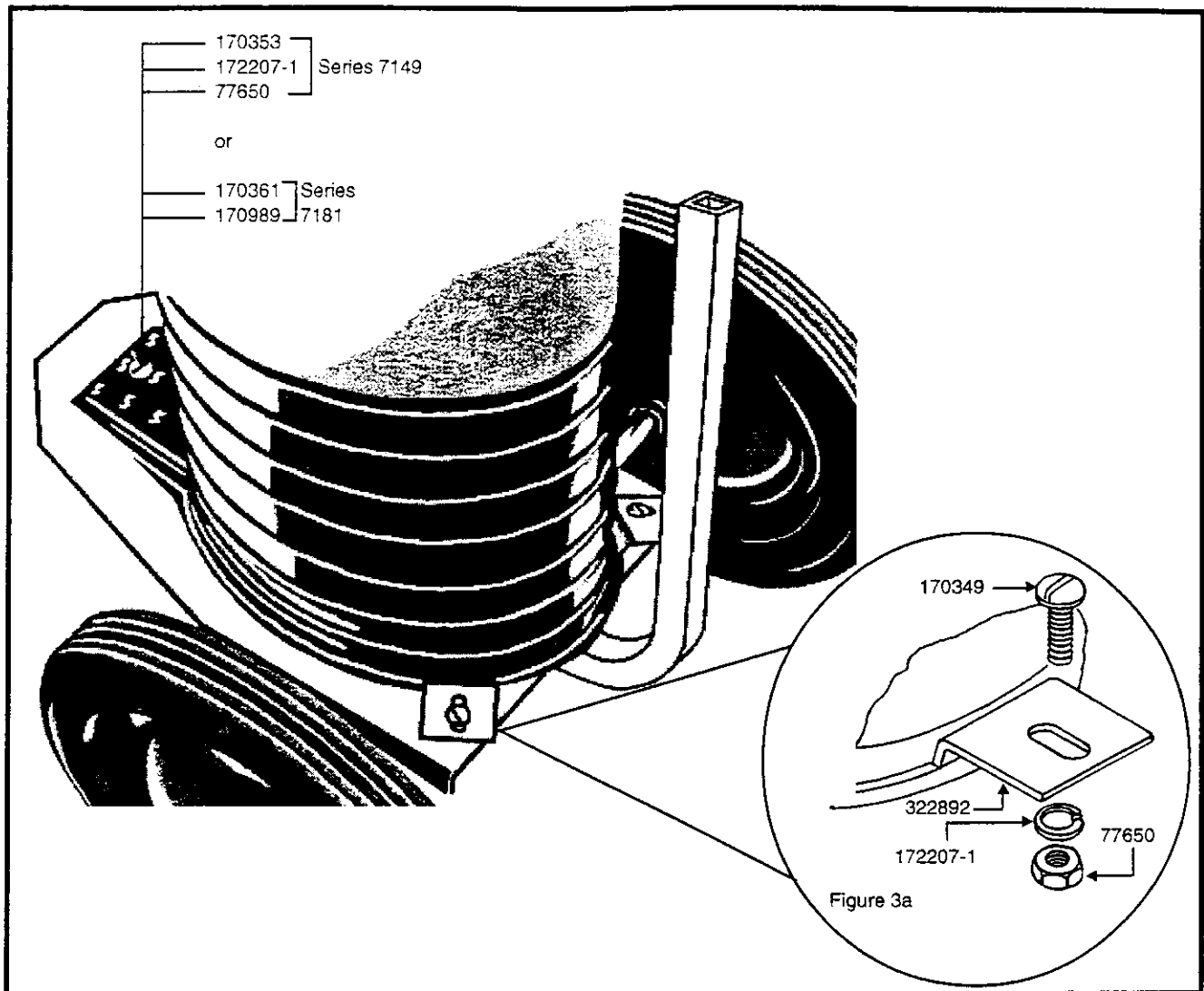


Figure 3: Attaching Bucket Pumps or Grease Pails

PARTS LIST - Model 6777-5 "Porta-Kart" Dolly

Part No.	Description	Qty.
77650	Hex-Head Nut, 1/4-20	3
+ 170349	Pan-Head Screw, 1/4-20 x 3/4" long	2
+ 170353	Pan-Head Screw, 1/4-20 x 1" long	1
+ 170361	Round-Head Screw, 1/4-20 x 2" long	1
170711	"E" Retaining Ring	4
+ 170989	Elastic Stop Nut, 1/4-20	1
+ 172207-1	Helical Spring Lockwasher, 1/4" I.D.	3
322892	Clamp	2
+ 327333	Elbow-Extension, 3/8" NPTF	1
330448	Washer, 21/32" I.D. x 1" O.D.	4
330599-1	Wheel, 10" Diameter	2
+ 332747	Frame Assembly	1
+ 338334	Handle Grip, Plastic	1

+ Not available as a separate purchased part.

NOTE: The parts listed in this instruction sheet are for reference identification in the instructions and illustrations. Some of them are not available as separate parts and these are noted in the parts list. Standard items such as nuts, bolts, etc. should be purchased at a hardware store. Refer to the current parts price list and bulletins before ordering parts, and always give a part number, quantity, description and model where used when ordering parts. Parts availability and prices are subject to change without notice.

CHANGES SINCE LAST PRINTING

Deleted assembly procedure.