

Shield for Heavy-Duty Hose Reel

Description

Caution

The top surface (mounting plate) of the shield assembly must be installed at a height no greater than 20 feet (6.1 m) from the floor to comply with the hose reel warranty.

This shield is designed to encase heavy-duty hose reel models 7334-D, 7335-D, and 7336-D. Refer to Service Guide **SER 7334-D** for details on the reels.

The shield mounts as a single unit or in banks of as many as required. Banked shields butt against one another to utilize the minimum amount of space. See **Figure 4**.

Models 7331 and 339371

Refer to **Table 1** for details on the models required for proper installation.

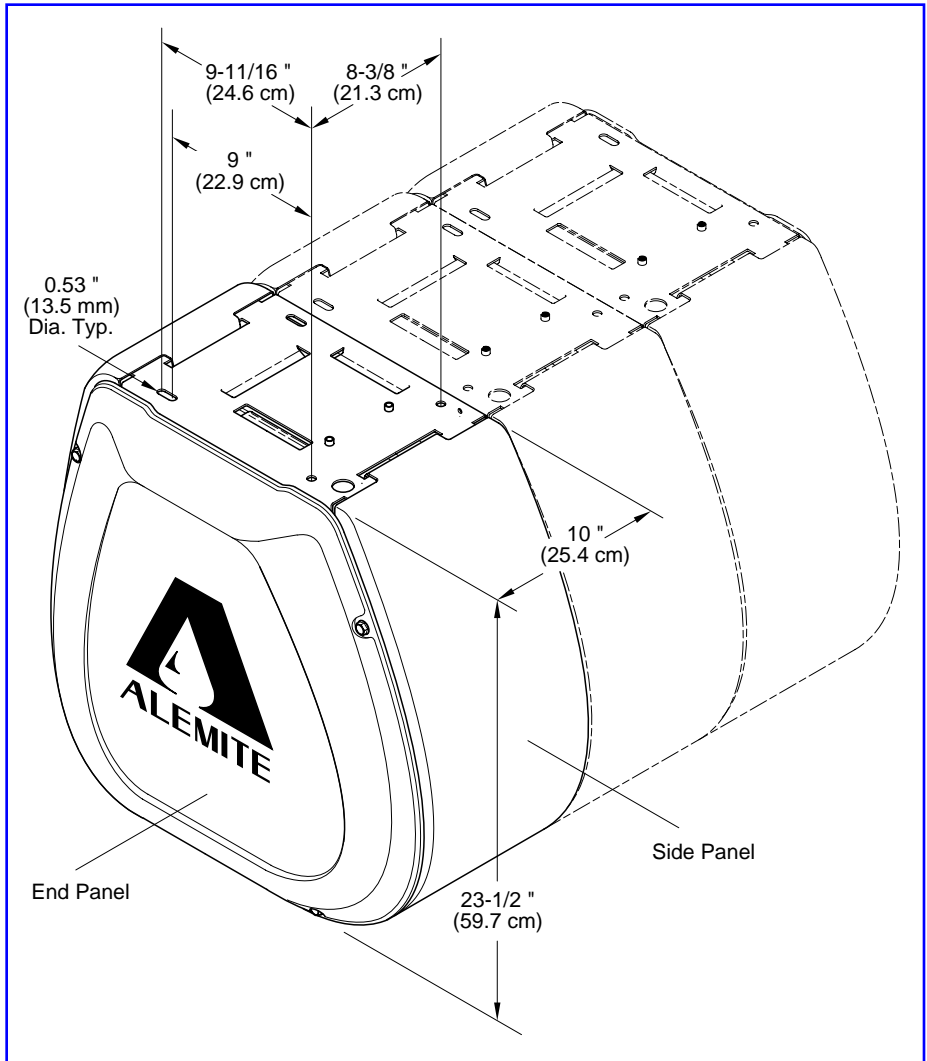


Figure 1 Shield Kit Model 7331 and End Panel Kit Model 339371

Model	Description	Major Components Included
7331	Shield Kit	Two (2) side panels, mounting plate, and alignment bracket for multiple reel installation
339371	End Panel Kit	Two (2) end panels
339368		Strut *
* Use with single reel installations only		

Table 1 Model Description and Components

Alemite Corporation
PO Box 473515, Charlotte, North Carolina 28247-3515
www.alemite.com

Copyright © 1998 by Alemite Corporation

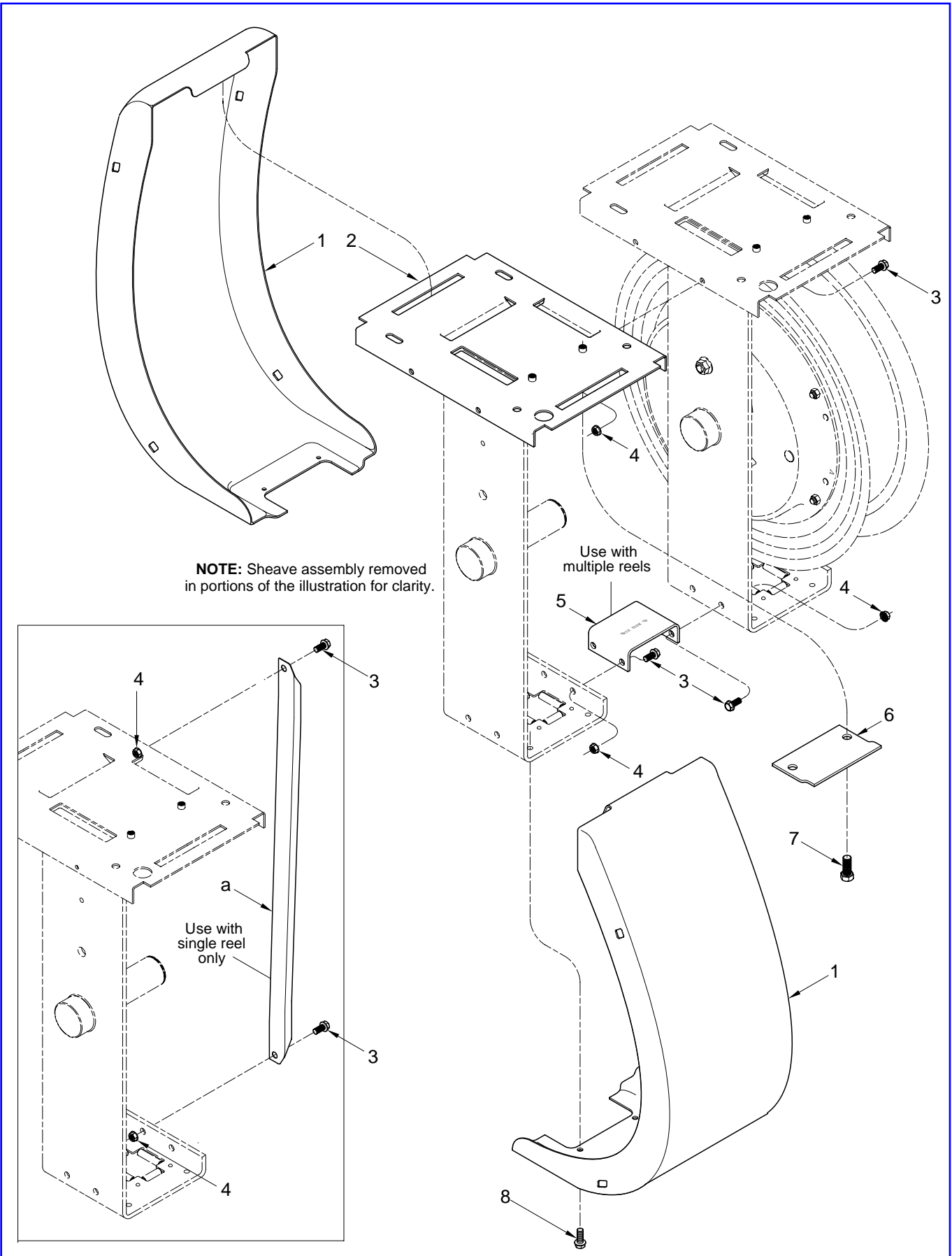
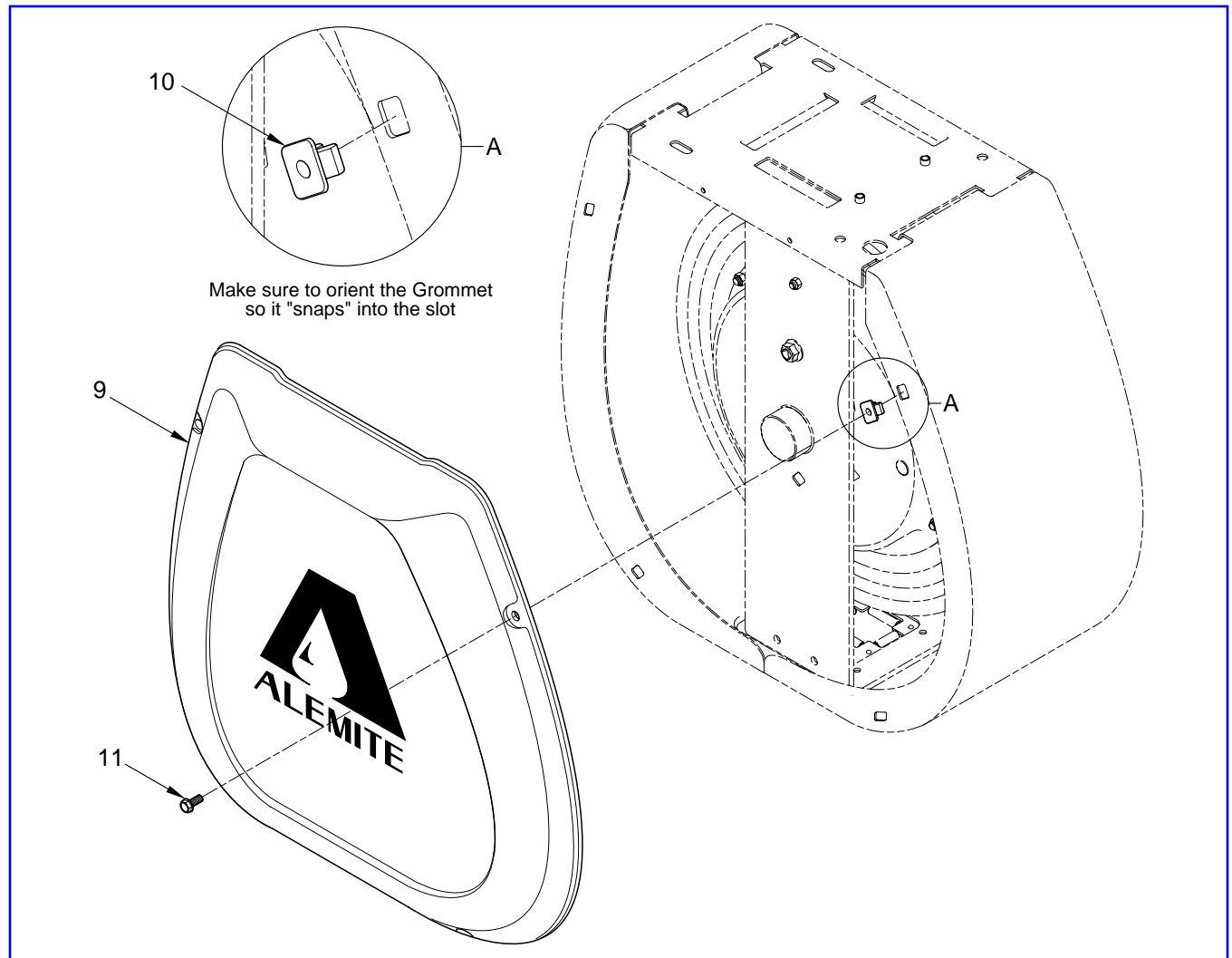


Figure 2 Shield Kit Model 7331 (End Panel Kit Model 339371 - Opposite Page) - Exploded Views



Item No.	Part No.	Description	Qty	Notes	Numeric Order Part # (Item #)
1	339379	Panel, Side	2	Shield Kit	11595 (7)
2		Plate, Mounting	1		339362 (5)
3		Screw, Serrated Washer, 1/4 " -20 x 3/4 "	6		339368 (a)
4		Nut, Serrated, 1/4 " -20	6		339373 (2)
5		Bracket, Alignment	1		339374 (3)
6		Clamp (w/ Label)	1		339375 (4)
7		Bolt, 3/8 " -16 x 7/8 "	2		339376 (8, 11)
8		Screw, Tapping	4		339377 (10)
9		Panel, End	2	End Panel Kit	339379 (1)
10		Grommet, Screw	8		339380 (9)
11		Screw, Tapping	8		339381 (6)
Strut for Single Reel Installation					
a	339368	Strut	1		

Legend:Part numbers left blank (or in *italics*) are not available separately

Installation

NOTE: Refer to **Figure 2** for component identification on the installation procedures.



WARNING

Read each step of the instructions carefully. Make sure a proper understanding is achieved before proceeding.

NOTE: The following is written for a multiple reel installation unless otherwise noted.

Attachment of Mounting Plates (2) to metal framing channels or other suitable structure will vary. Refer to **Figure 4** for a typical installation.

The Mounting Plates can be installed with the connecting hose openings on opposite sides. This allows the distribution lines to route on both sides of a bank.

IMPORTANT: Make sure to orient each Mounting Plate so the connecting hose opening is in alignment with the distribution line.

1. Install Mounting Plates (2) to metal framing channels or other suitable structure (mounting hardware not included).
 - Do not tighten the hardware at this time

2. Install Screws (3) and Nuts (4) that align the Mounting Plates to each other.
 - Tighten the Screws securely.
3. Tighten the mounting hardware securely.
4. Slide each reel assembly into the track slots of the Mounting Plate. See **Figure 3**.

IMPORTANT: Make sure the reel assembly seats squarely against the stop.

5. Install each Clamp (6) to the Mounting Plate with Bolts (7).
 - Hold the reel assembly firmly against the stop while tightening each Bolt.
6. Check to ensure the reel assembly is secure to the Mounting Plate.

NOTE: The following step is for a single reel installation only.

7. Secure Strut (a) to the Mounting Plate and reel assembly with Screws (3) and Nuts (4).
 - Tighten the Screws securely.
8. Install Alignment Brackets (5) [observe THIS SIDE UP] between each reel assembly with Screws (3) and Nuts (4).
 - Tighten the Screws securely.
9. Follow the procedures for assembling the hose reels within Service Guide **SER 7334-D**.
 - See the section entitled **In the Shield**.

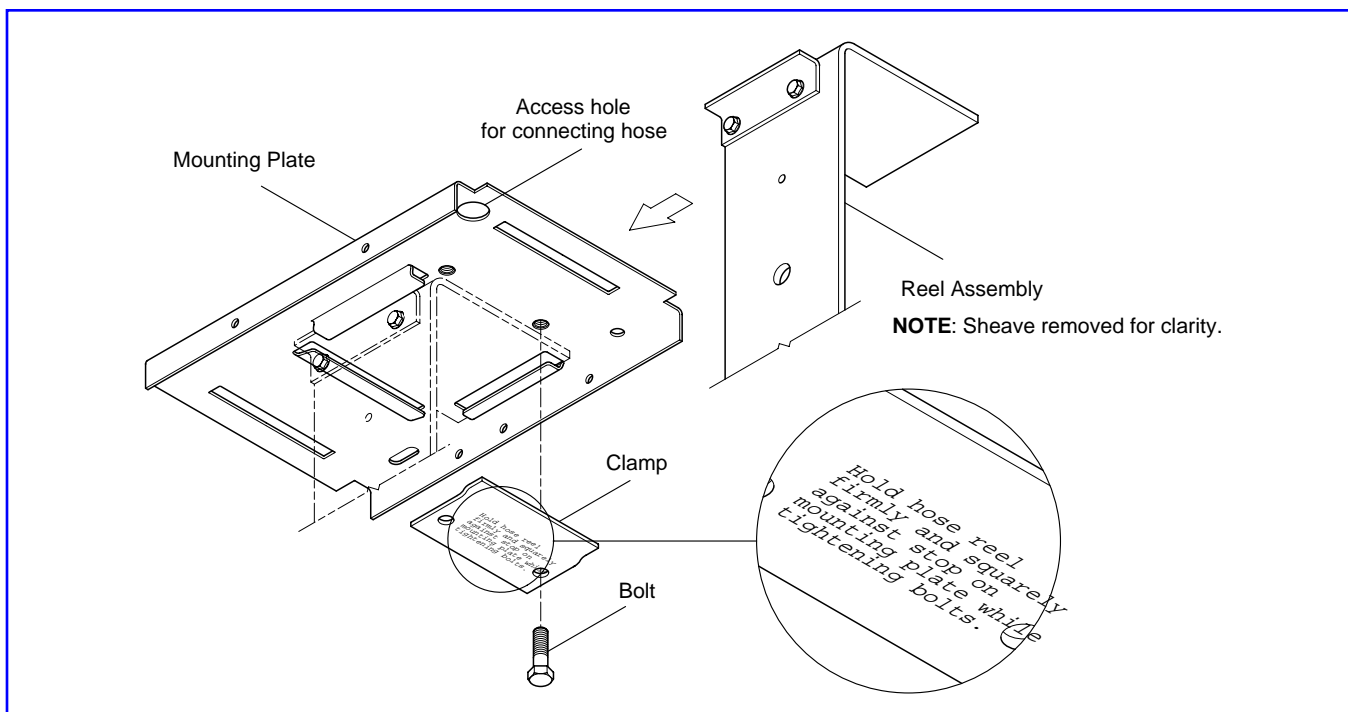


Figure 3 Reel Assembly Installation into Mounting Plate - Bottom View

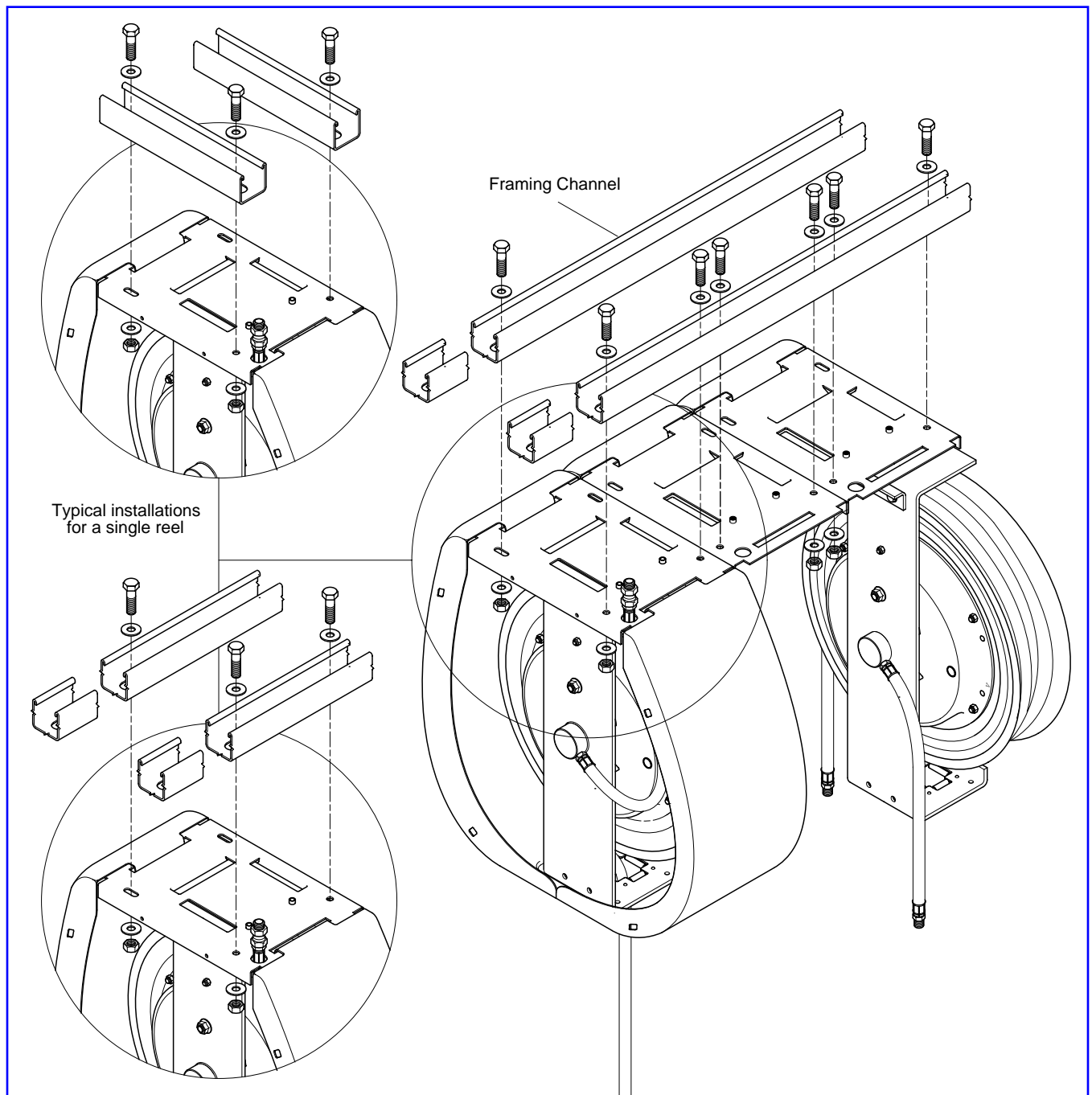


Figure 4 *Shield Installations - Typical*

10. Insert the tabs of Side Panels (1) into the slots on the Mounting Plates.
11. Secure the Side Panels to the reel assembly with Screws (8).
 - Do not overtighten the Screws.
12. Secure each End Panel (9) to the end Side Panels with Screws (11) and Screw Grommets (10).
 - Make sure to orient the Screw Grommets properly. See **Figure 2**.
 - Do not overtighten the Screws.

Changes Since Last Printing

Initial Release

