

Portable Evacuation Oil Drain

Description

Portable drain models 8586 and 8586-A are designed to safely capture the oil from engine crankcases, transmissions, and differentials.

Each drain system consists of a:

- drain bowl and drum cover assembly
- dolly assembly
- 16-gallon drum (model 8586-A only)

Drain Bowl and Drum Cover

The drain bowl assembly includes a strainer that guards against loose items entering the drum. The strainer's center post can be used to hold inverted filters and allow them to drain.

The drain bowl assembly mounts on a tube that can extend up to 26 " (66 cm) from its fully seated position. See **Figure 1**. The tube is held by an automatic latching mechanism. This mechanism retains the drain bowl tube at the required height.

The cover for the drum contains a built-in float gauge that indicates when the drum is full.

Dolly

The drum is secured to the dolly with three thumb screw clamps. The dolly's four-wheel design allows stable mobility.

Operation and Adjustment

Lift the tube or the bowl upward and release. The latching mechanism automatically grips the tube and retains the position of the assembly. Lift the latch upward slightly to allow the bowl to descend to the required height. Once reached, release the latch.

Adjustment

Loosen the wing nut on the latching mechanism to lessen the friction on the tube. Tightening the wing nut causes the tube assembly to descend at a slower rate.

Evacuation

The use of an evacuation system allows the drum to be emptied without tipping. See **Figure 3**.

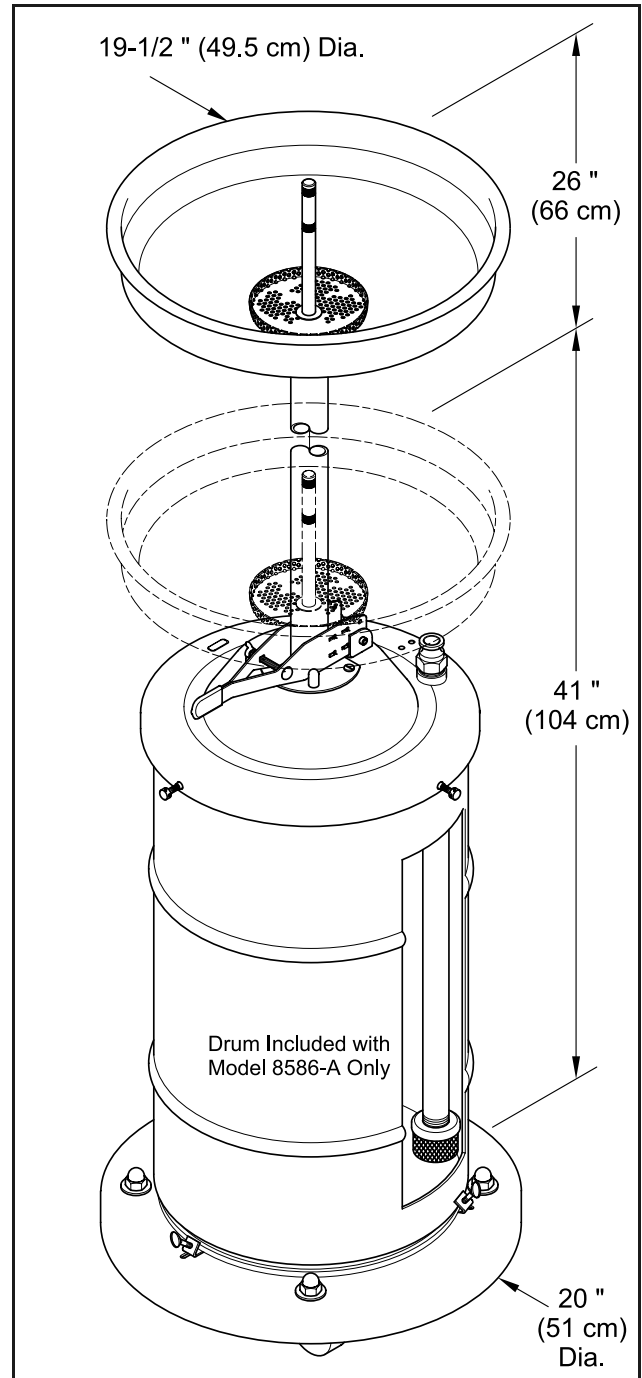


Figure 1 Portable Evacuation Oil Drain
Model 8586-A Shown

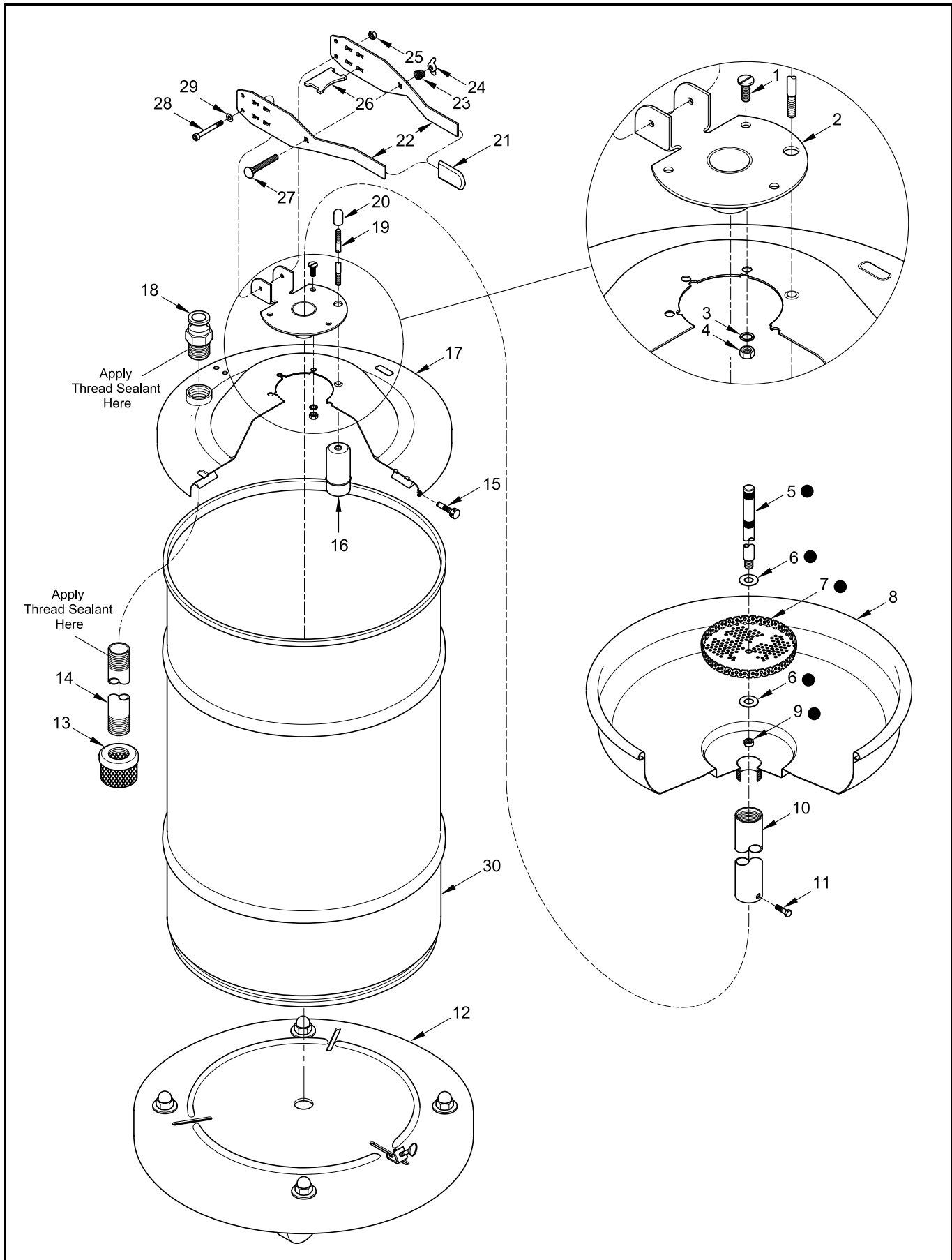


Figure 2 Portable Evacuation Oil Drain Models 8586 and 8586-A - Exploded View

| Item No. | Part No. | Description | Qty | Notes | Numeric Order Part # (Item #) |
|----------|----------|---------------------------------------|-----|-------------------|-------------------------------|
| 1 | | Screw, Machine, 1/4 " -20 x 1/2 " | 3 | | 14037 (27) |
| 2 | 338998 | Plate Assembly, Pivot | 1 | | 14534 (29) |
| 3 | 172207-1 | Lockwasher, 1/4 " | 3 | | 48018 (15) |
| 4 | 77650 | Nut, 1/4 " -20 | 3 | | 77650 (4) |
| 5 | | Handle, Filter Drain | 1 | ● | 170345 (1) |
| 6 | | Washer, 0.29 " ID | 2 | ● | 170837 (24) |
| 7 | | Strainer | 1 | ● | 171415 (9) |
| 8 | 339049 | Bowl Assembly | 1 | | 172207-1 (3) |
| 9 | | Nut, Elastic Stop, 1/4 " -20 | 1 | ● | 17693 (11) |
| 10 | 339095 | Tube | 1 | | 308736 (23) |
| 11 | | Screw, 1/4 " -20 x 3/8 " | 2 | | 311174 (6) |
| 12 | 316315-5 | Dolly Assembly | 1 | See SER 316315-5 | 316315-5 (12) |
| 13 | 338685 | Screen | 1 | | 338565 (18) |
| 14 | | Extension, 3/4 " NPTF (m) x 24 " Long | 1 | | 338685 (13) |
| 15 | 48018 | Screw, Thumb, 1/4 " -28 x 7/8 " | 3 | | 338688 (14) |
| 16 | | Float | 1 | | 338995 (16) |
| 17 | 339171 | Cover Assembly (Includes Gasket) | 1 | | 338998 (2) |
| 18 | 338565 | Coupling, Adapter | 1 | | 338999 (7) |
| 19 | | Stem | 1 | | 339047 (22) |
| 20 | | Knob (Polypropylene) | 1 | | 339049 (8) |
| 21 | 339093 | Grip (Vinyl) | 1 | | 339093 (21) |
| 22 | 339047 | Handle, Friction | 2 | | 339095 (10) |
| 23 | 308736 | Spring | 1 | | 339097 (5) |
| 24 | 170837 | Nut, Wing, 1/4 " -20 | 1 | | 339098 (19) |
| 25 | | Nut, Elastic Stop, 10-24 | 1 | | 339099 (26) |
| 26 | 339099 | Latch | 1 | | 339102 (28) |
| 27 | | Bolt, Carriage, 1/4 " -20 x 2-1/2 " | 1 | | 339103 (20) |
| 28 | 339102 | Screw, Shoulder, 10 -24 x 2-3/8 " | 1 | | 339105 (25) |
| 29 | | Washer, 5/16 " | 1 | | 339171 (17) |
| 30 | 340002 | Drum | 1 | Model 8586-A Only | 340002 (30) |

Legend:
 Part numbers left blank (or in *italics*) are not available separately
 ● designates a repair kit item

Repair Kit

| Part No. | Kit Symbol | Description |
|----------|------------|-------------------|
| 393675 | ● | Kit, Filter Drain |

Accessory

| Part Number | Description | Notes |
|-------------|----------------------|---------------------|
| 338554 | Kit, Evacuation Hose | See Figure 3 |

Table 2 Portable Evacuation Oil Drain Models 8586 and 8586-A Accessory

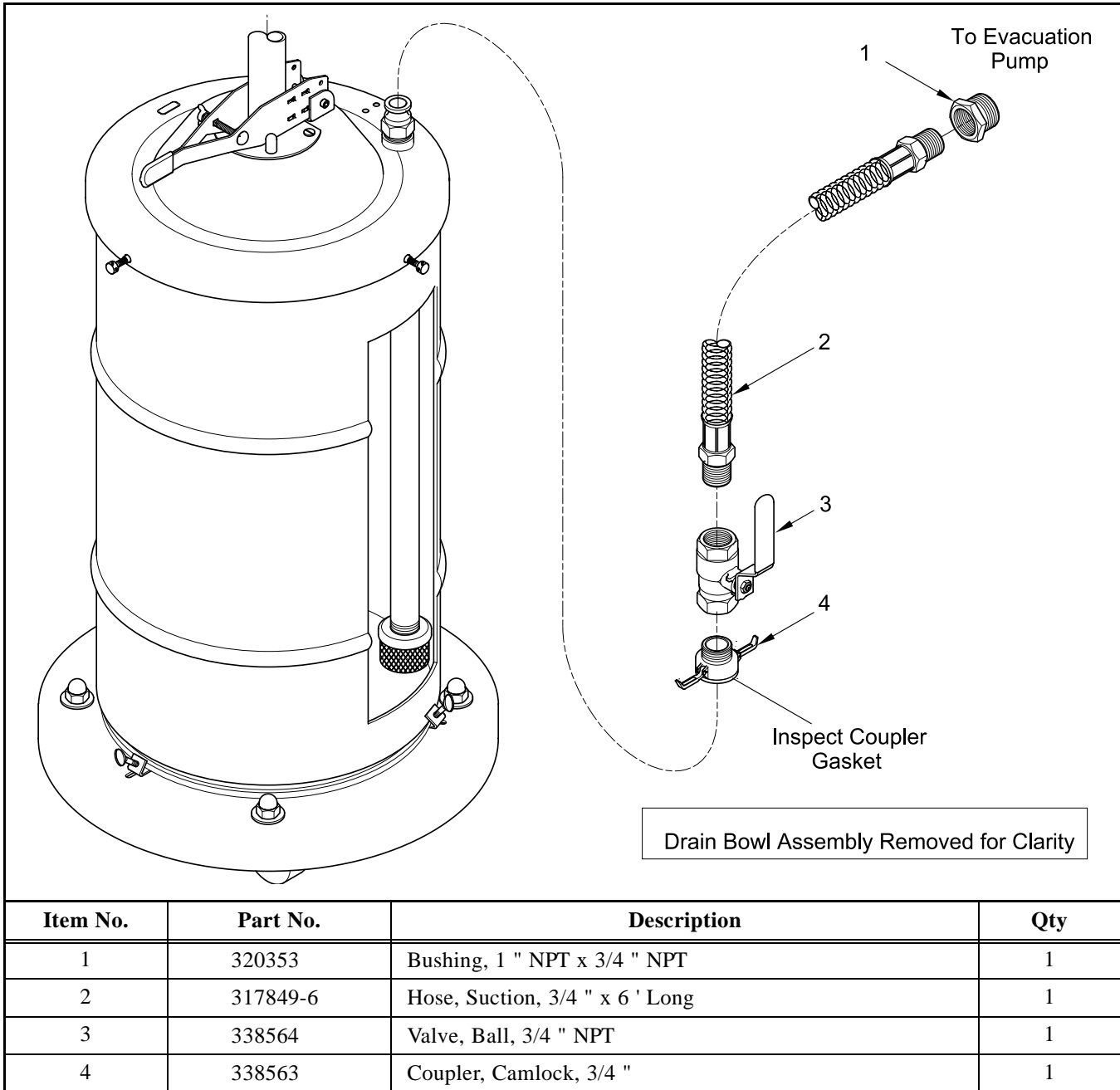


Figure 3 Optional Evacuation Hose Kit 338554

Troubleshooting Chart

| Pump Indications | Possible Problems | Solution |
|---------------------------------------|--|--|
| Handles (22) fail to grip Tube (10) | Handles (22) worn at holes and /or slots | Turn Handles (22) upside down |
| Drain bowl assembly drops too rapidly | 1. Wing Nut (24) loose 2. Spring (23) broken or missing | 1. Tighten Wing Nut (24) 2. Replace Spring (23) |
| Unable to raise drain bowl assembly | Excessive downward force placed on Handles (22) | Raise Handles (22) |

Changes Since Last Printing
Added Model 8586-A